



**Accurate, reliable,  
quick, easy,  
comprehensive  
and affordable**

- **New light targets,**  
detachable from brackets
- **Wide choice of brackets**
- **Compact installation  
distance** (useful  
for small workshops)
- **Quick and easy  
installation**
- **Floor-mounted, in pit  
or fixed-height lift**
- **High-resolution cameras  
with measurement  
by image difference**



# TRIGON

## 3D - Thru Vision



**Wheel alignment and pre-check DRIVE-THRU  
for cars and light duty vehicles**



## TRIGON 3D - Thru Vision

The new Mondolfo Ferro **TRIGON 3D - Thru Vision** wheel aligner with 2 camera reading system is fast, precise reliable. The software is **intuitive, user friendly** for precise and quick alignment measurements.



### ENTRY LEVEL PRICE

Entry-level price with top of the range specifications. A small investment for a great yield.

- Display of values up to **0.01°**
- Sensor holder from **10" to 22"**, 26" with adapter.
- **Measurement "in difference"** to eliminate measurement problems in critical sunlight conditions or in the presence of light reflections.
- **Intuitive** two-key operation
- **User-friendly** software with easily accessible tutorial
- **Multilingual Windows 10 IoT operating system**
- **Easy access** to all setting values
- Steering automatic measurements directly from the targets
- Chassis measurement data
- **User database** for entering or changing vehicle data
- **Customer database**, for specific activities, to recall and save all customer data.
- Convenient **side trolley** for clamp and sensor holder (optional)



### LIGHT-DUTY AND HIGH-RESOLUTION TARGET

It can be detached from the bracket and is compatible with all Mondolfo Ferro brackets. Front infra-red filter for a high immunity to sunlight reflections.

## Superior quality camera.



### HIGH QUALITY CAMERAS WITH VERTICAL ADJUSTMENT DURING INSTALLATION

High-resolution and latest generation HI-Q camera for artificial vision.

- **Optimised monolithic optics** with low distortion and anti-reflective nano-coating.
- **Integrated LPF filter** to cancel the reflections of sunlight.
- **Bright operating indications** thanks to the integrated synoptic panel.

### MEASUREMENT BY IMAGE DIFFERENCE

Each acquisition is differentially processed by two consecutive images to eliminate measurement problems in critical sunlight conditions or in the presence of light reflections.



Convenient **side trolley** for clamp and sensor holder (optional)

**TRIGON SOFTWARE**

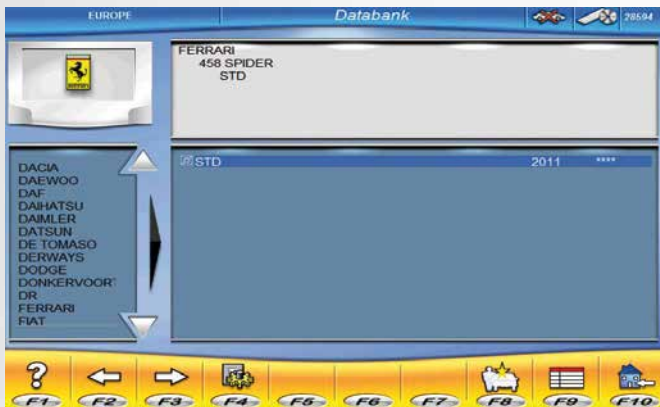
**USER FRIENDLY**

EXACT software icons with simple graphics.  
Easy to learn, quick to select.



**WORLD DATABASE**

International database divided by global regional areas for easy selection. During configuration, users can select their own area, but data from the rest of the world is always available.



**HIRES TARGET**

Live setting values, all angle values displayed in real time



**CHASSIS**

Real-time chassis measurement with corresponding graphics. Real-time graphic indications.



**PRINTOUT MODE**

Selectable and customisable colour or black and white printout. Vehicle and chassis graphic measurement printout.



**TUTOR**

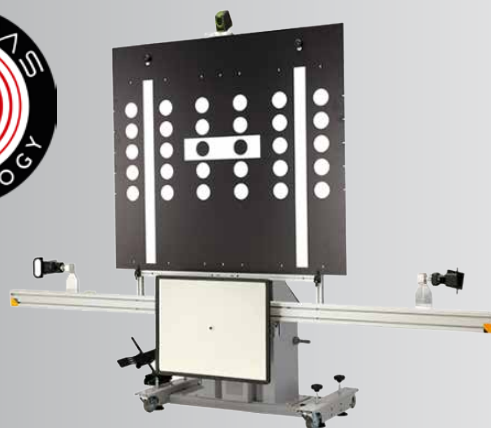
With an active on-line tutor, the operator can be guided step-by-step through the process with the aid of a graphic indicator.



## WHEEL ALIGNER COMPATIBLE WITH PROADAS

The wheel aligner is compatible with the new PROADAS universal system used for the **calibration of driver assistance systems** on new-generation vehicles.

Using the wheel aligner cameras, the system for calibrating the camera and radar on board the vehicle **can be aligned precisely and quickly**. Manufacturers recommend calibrating ADAS systems after aligning the vehicle. For further information, visit the PROADAS product sections on our website.



## STANDARD ACCESSORIES



**STEERING LOCK,  
BRAKE PEDAL LOCK AND SUPPORT**



**\* PERSONAL COMPUTER**  
for Full Pack versions only

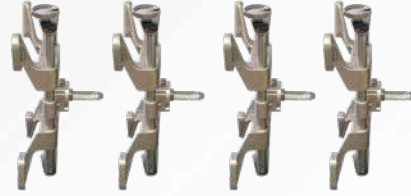


**MEASURING TARGET**

**RECOMMENDED ACCESSORIES**



**TROLLEY FOR BRACKETS AND TARGETS**



**SELF-CENTRING 10-21" BRACKETS**



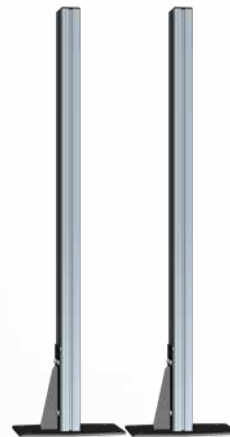
**26" EXTENDER KIT FOR BRACKETS**



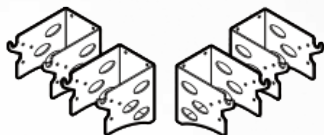
**TURNTABLES**



**LOW COLUMN KIT (1000MM)**  
for pit installation or for a pre-check  
during vehicle reception step



**HIGH COLUMN KIT (2600MM)**  
for installation with lift  
with measuring function and fixed  
height adjustment



---

**WALL BRACKET KIT**



---

**CARRYING CASE WITH KIT FOR  
CALIBRATION AND  
CALIBRATION CHECK**



---

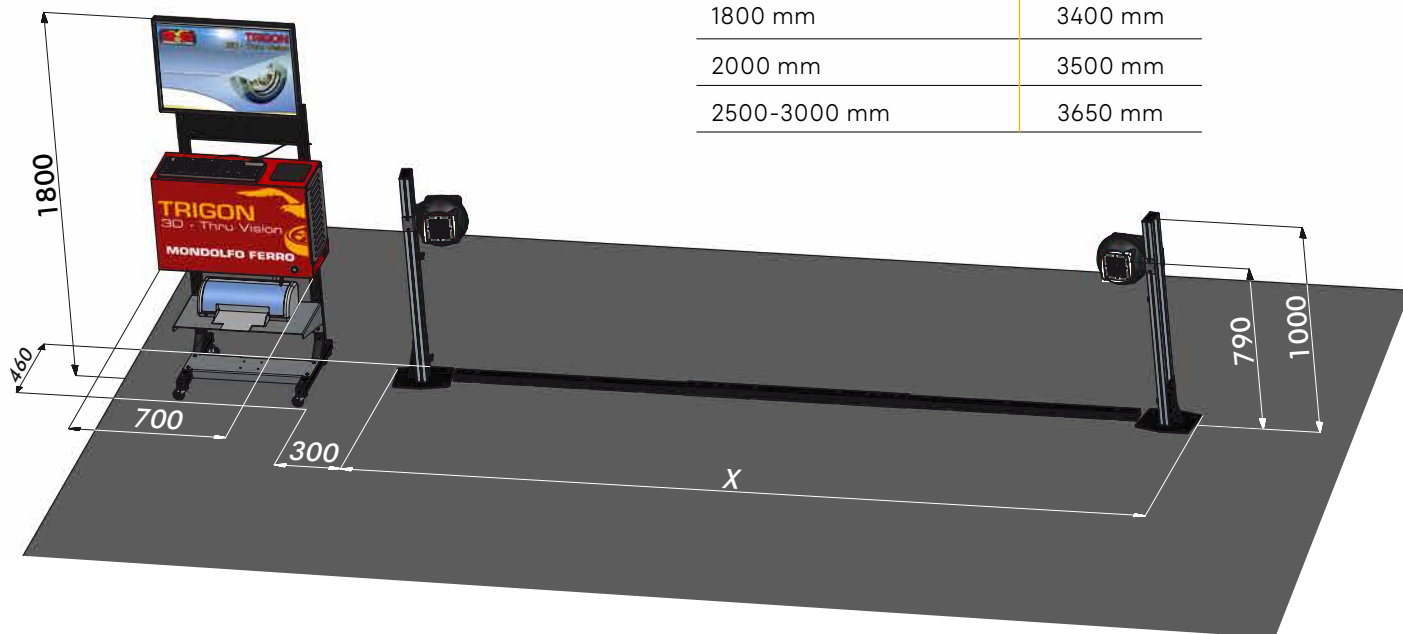
**PRINTER CABINET  
EQUIPPED WITH WHEELS  
AND A DOOR**



---

**A4 INKJET PRINTER**

## INSTALLATION AREA



Distance between camera and turntable	Distance X
1800 mm	3400 mm
2000 mm	3500 mm
2500-3000 mm	3650 mm

## TECHNICAL DATA

### MEASURING INTERVALS

Total toe	$\pm 20^\circ$
Semi-toe	$\pm 10^\circ$
Camber	$\pm 10^\circ$
Caster	$\pm 30^\circ$
Kingpin	$\pm 30^\circ$
Set back	$\pm 22^\circ$
Thrust angle	$\pm 10^\circ$
Steering angle difference	$\pm 20^\circ$

### POWER SUPPLY

Power supply voltage	115-230 Vac - 50-60 Hz 1 pH
Power consumption	500 W